

Diaphragm seals MD 40 for the paper and pulp industries

2



- Special flange connection for the pulp and paper industries
- Compact design
- Can be welded directly to the pressure gauge
- Various tubus lengths available



Application For use with Bourdon tube pressure gauges, pressure transducers or pressure switches. For corrosive, highly viscous, polluted or hardening media. Typical application areas:

- Paper industry
- Pulp industry
- Lacquer industry

Technical specifications **Process connection/tubus**
Stainless steel 316 L, DN 48
Loose retaining flange
Stainless steel 304

Diaphragm
Stainless steel 316 L

Seal
NBR (Perbunan)

Instrument connection
Stainless steel 316 L
Welded connection

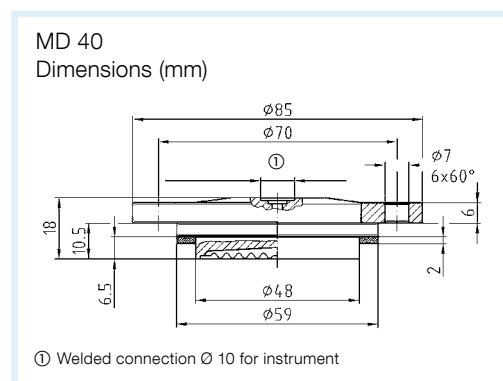
Pressure transmission liquid
Paraffin oil (FM 09), FDA-listed

Pressure ranges
See price list section

Nominal pressure
PN 40

Scope of delivery

- Diaphragm seal
- Screws M 6 x 20 (galvanised steel)
- Seal (NBR) 59 x 48 x 2 mm



Options **Process connection/tubus**

- Extended tubus 18 mm (also suitable for O ring seal)
- Special materials
- Silicone-free version

Diaphragm

- Special materials

Instrument connection

- Adapter for instrument connection G $\frac{1}{4}$ B/G $\frac{1}{2}$ B
- Cooling element (> 100 °C)
- Capillary tube

Other

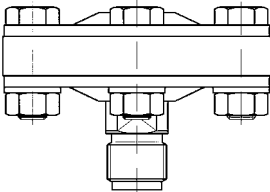
- Other filling liquids

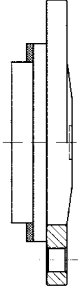
i

See page 171 for prices.

Diaphragm seals MD 30/40

DG: M, PG: 3

	MD 30 standard version							
	Nominal pressure	Process connection	Minimum range* (in bar) at nominal size				Part no.	Price €
			63	100	160	DMU		
	PN 25	Stainless steel 316 L, G $\frac{1}{2}$ B	0.6	0.6	0.6	0.6	31417W	
	PN 100	Stainless steel 316 L, G $\frac{1}{2}$ B	0.6	0.6	0.6	0.6	31331W	
PN 250	Stainless steel 316 L, G $\frac{1}{2}$ B	0.6	0.6	0.6	0.6	31332W		
Extra charges								
Process connection G $\frac{1}{2}$ B, PFA-coated								
Process connection $\frac{1}{2}$ -14 NPT								
Process connection $\frac{1}{2}$ -14 NPT, PFA-coated								
Process connection G $\frac{1}{2}$ female thread								

	MD 40 version for the paper and pulp industries							
	Instrument connection stainless steel 316 L, welded connection							
	Process connection stainless steel 316 L, DN 48, PN 40 (including seal and screws)							
	Retaining flange stainless steel 304, ranges 0/1.6 to 0/40 bar*							
							Part no.	Price €
Direct connection							31347W	
Spare parts/accessories								
6 screws M6 x 20							31418	
Spare seal, Perbunan 59 x 48 x 2							31419	

* Valid for standard pressure transmission liquid with direct mounting (without capillary tube) at a room temperature and temperature of the medium of 20 °C.

** Without spacer ring.