

Thermostat control heads 316, 312

Campper ARMATUREN
a brand of the AFRISO group

Conversion of thermostat control heads from year of 1975 up to date

Thermostat control head 316

Description The thermostat control head 316 can be converted with the adapter 316 KH (part no. 100 010.663) so that the thermostat control heads series 320 KH can be mounted to an adapter. Conversion is also possible by replacing the valve inserts. If this is done, the system must be emptied.



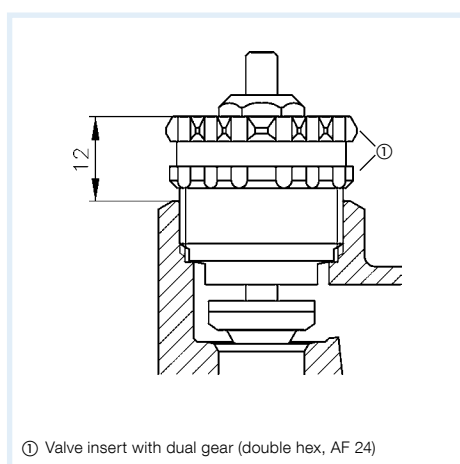
Thermostat control head 312

Description The thermostat control head 312 can be replaced with the thermostat control head 320 NS (part no. 340 005).

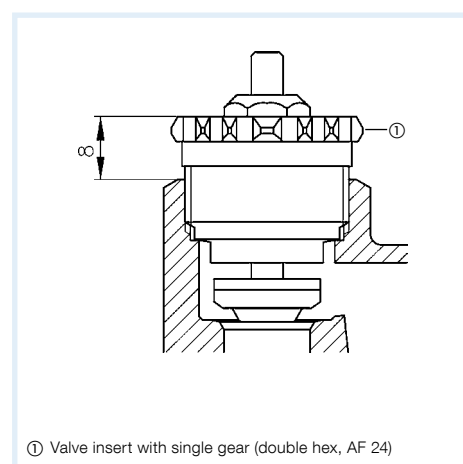


8

Observe the following when replacing thermostat control heads series 312:



All standard series 320 thermostat control heads can be mounted to valve bodies with a dual gear.



In the case of valve bodies with a single gear, thermostat control heads version "S" must be mounted. The type designation for a thermostat control head with built-in probe is 320 (N) S and for a thermostat control head with remote probe 320 F (N) S, with indication of the capillary tube length.

Thermostat control heads 313, 314, 320 S

Thermostat control head 313

Description The thermostat control head 313 can be replaced with the thermostat control head 320 N (part no. 340 002).



Thermostat control head 313 E

Description The thermostat control head 313 E can be replaced with the thermostat control head 320 N (part no. 340 002).



Thermostat control head 314

Description The thermostat control head 314 can be replaced with the thermostat control head 320 N (part no. 340 002).



Thermostat control head 320 S

Description The thermostat control head 320 S can be replaced with the thermostat control head 320 N (part no. 340 002).



Thermostat control heads 320, adapter M30 x 1.5 mm

Gampper ARMATUREN
a brand of the AFRISO group

Thermostat control head 320

Description The thermostat control head 320 is available with Gampper clamp connection, type 320 N (part no. 340 002) or with threaded connection M 30 x 1.5 mm, type 320 KH. All series 320 KH thermostat control heads can be fit to thermostat valves with M 30 x 1.5 mm threaded connection.



Conversion of Gampper clamp connection to threaded connection M 30 x 1.5 mm

For thermostat valve bodies from year of manufacture 1978

Types and dimensions (mm)

<p>Adapter 910 049</p> <p>marked: 9</p>	<p>Adapter 910 042</p> <p>marked: 2</p>
<p>Adapter 910 041</p> <p>marked: 1</p>	<p>Adapter 100 010.663</p>