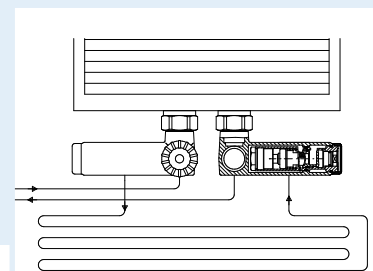
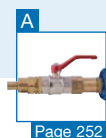


# Combination blocks Twin for radiator and underfloor systems



- For decentralised underfloor heating
- With adjustable return temperature limiter
- Easy, fast on-the-wall mounting



Easy connection to existing radiators and radiators in new buildings.

**Application** Suitable for small and medium water volumes. For connection to valve radiators, compact radiators or bathroom radiators with centre connection in dual-pipe heating systems. Ideal solution for retrofitting underfloor heating systems, e.g. bathroom modernisation.

**Description** Connection combination consisting of flow fitting and return fitting. Return fitting with integrated, adjustable return temperature limiter (20/50 °C) for temperature limitation of floor heat as well as shut-off function and drain function for radiator.

Available in three versions which differ in terms of controlling the floor heat:

**Twin** with simple temperature limitation of the radiator via shut-off in the flow fitting.

**Twin-T Standard** with thermostat valve in the flow fitting for temperature control of radiator and floor heat.

**Twin-T Vario** with fully adjustable thermostat valve in the flow fitting for control of radiator and floor heat.

## Technical specifications

### System connection

G $\frac{3}{4}$  eurocone or G $\frac{1}{2}$  female thread

### Pipe connection

G $\frac{3}{4}$  eurocone

### Thermostat head/actuator connection

Threaded connection M30 x 1.5 mm

### Nominal pressure

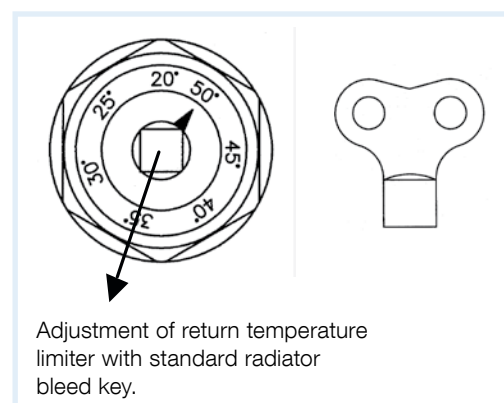
Max. 10 bar

### Operating temperature range

Medium:  $T_{max} = 110$  °C

### Housing

Brass, nickel-plated

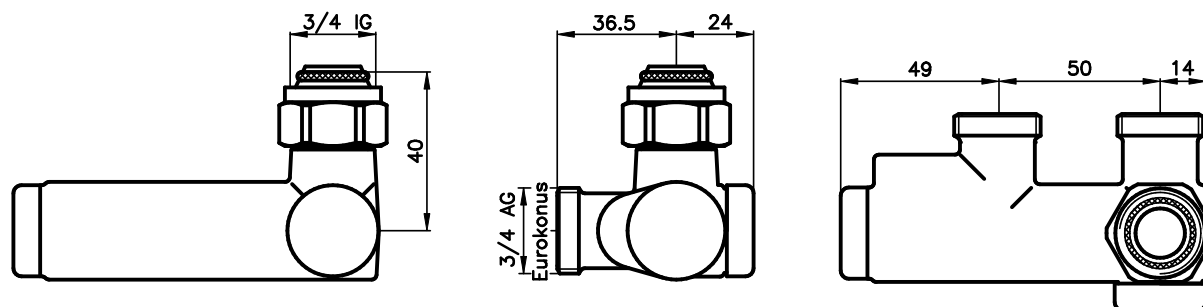


See page 255 for prices.

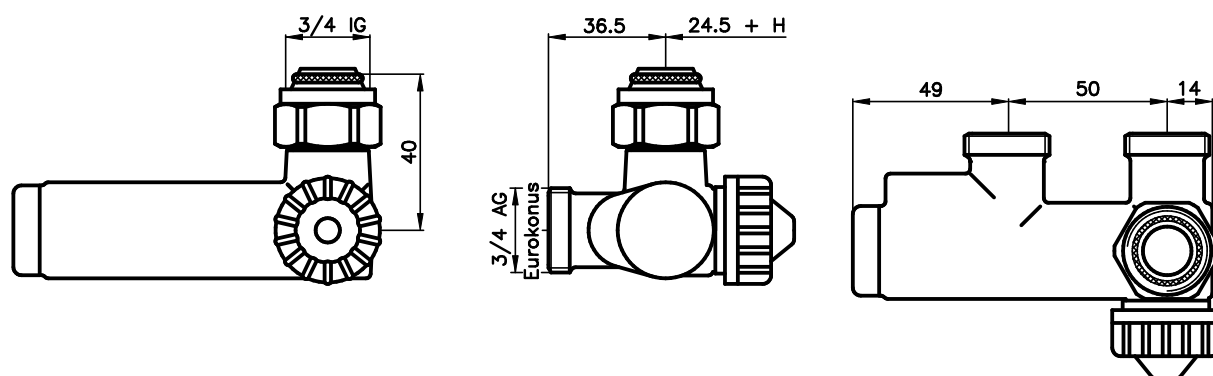
# Combination blocks Twin for radiator and underfloor systems

## Types and dimensions (mm)

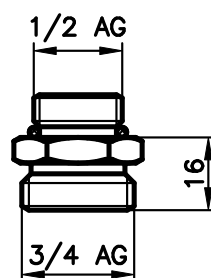
Twin flow fitting with shut-off – version G $\frac{3}{4}$  female thread



Twin-T flow fitting with thermostat valve – version G $\frac{3}{4}$  female thread











Adapter for radiators with R $\frac{1}{2}$  female thread



**i**

Dimensions of the return screw fitting correspond to the Twin flow fitting with shut-off.





# Combination blocks Twin for radiator and underfloor systems

DG: V, PG: 2	Version	Fitting*	Flow coefficient** (m <sup>3</sup> /h)	Maximum flow rate (l/h) (l/h)			Part no.	Price €
<b>Twin</b>								
	<b>For radiators with G<math>\frac{3}{4}</math> eurocone</b>	FF	1.8	580	1	-	225 521.100	
		RF	1.1	360				
	<b>For radiators with G<math>\frac{1}{2}</math> female thread</b>	FF	1.8	580	1	-	225 501.100	
		RF	1.1	360				
<b>Twin-T Standard</b>								
	<b>For radiators with G<math>\frac{3}{4}</math> eurocone</b>	FF	1.2	380	1	-	225 021.100	
		RF	1.1	360				
	<b>For radiators with G<math>\frac{1}{2}</math> female thread</b>	FF	1.2	380	1	-	225 001.100	
		RF	1.1	360				
<b>Twin-T Vario</b>								
	<b>For radiators with G<math>\frac{3}{4}</math> eurocone</b>	FF	0.8	220	1	-	225 221.100	
		RF	1.1	360				
	<b>For radiators with G<math>\frac{1}{2}</math> female thread</b>	FF	0.8	220	1	-	225 201.100	
		RF	1.1	360				

\* The flow coefficient corresponds to the water flow in m<sup>3</sup>/h through the valve at a given valve stroke (proportional offset, e.g. 1 K or 2 K) and a differential pressure of 1 bar.

\*\*FF = Flow fitting, RF = Return fitting

## Accessories for combination blocks Twin

DG: V	Description	PG			Part no.	Price €
	<b>Adjustment key ES-SV</b>	1	1	40	<b>140 110.850</b>	
	<b>Valve insert M</b> for DN 10–DN 20	2	1	-	140 210.221	